

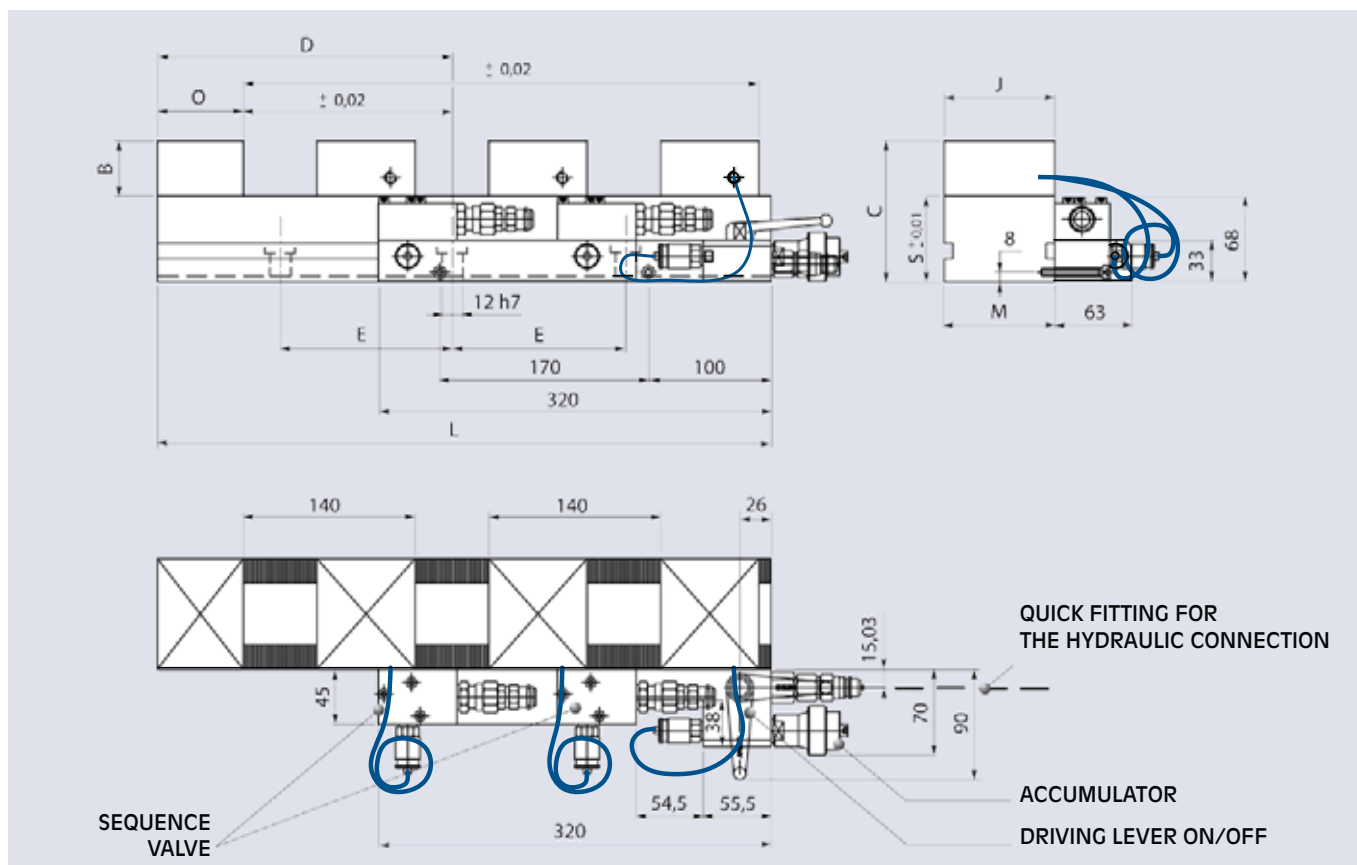
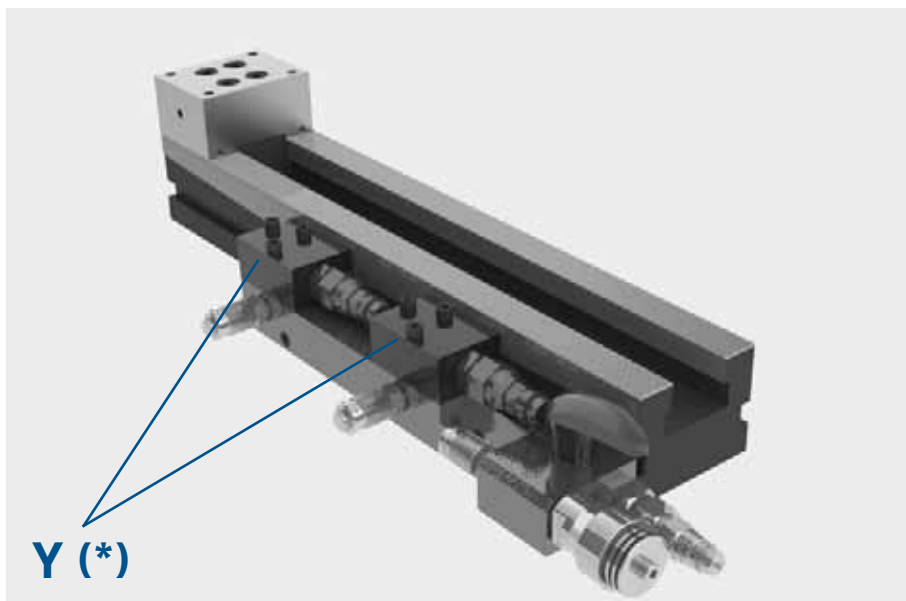
Set base CIVI HYDRO complete with:

1 base (length optional), 1 fixed support, 1 pair of positioning keys and 1 complete hydraulic unit for the hydraulic drive of the movable jaws.

(*) Y = number of sequence valves:

- for CIVI 2000/60 x 400, Y = 2
- for CIVI 2000/60 x 500, Y = 2
- for CIVI 2000/60 x 630, Y = 3

- for CIVI 2000/90 x 400, Y = 2
- for CIVI 2000/90 x 500, Y = 2
- for CIVI 2000/90 x 630, Y = 3



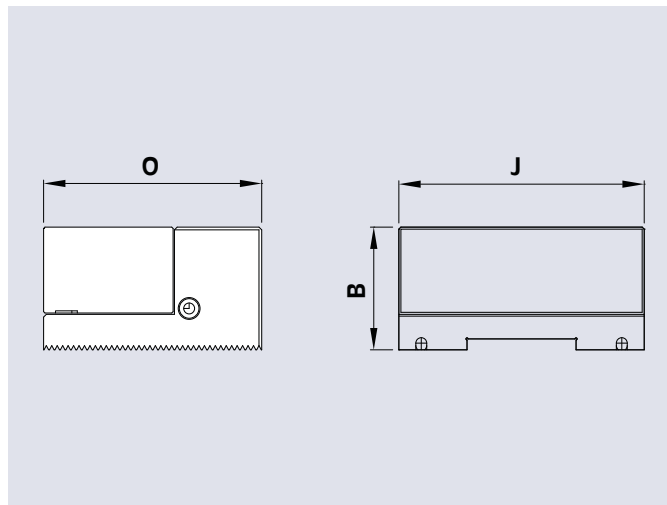
Code	for type	B mm	B mm	B mm	B mm	B mm	B mm	B mm	B mm	B mm	weight kg
77 58 41 16	CIVI 2000/60 x 400			200	100		100				9,5
77 58 41 17	CIVI 2000/60 x 500	40	100	250	150	60	150	60	60	60	11,5
77 58 41 18	CIVI 2000/60 x 630			315	200		200				13,5
77 58 42 16	CIVI 2000/90 x 400			200	100		100				16
77 58 42 17	CIVI 2000/90 x 500	45	115	250	150	90	150	90	70	70	19,5
77 58 42 18	CIVI 2000/90 x 630			315	200		200				23,5

multiple clamping system CIVI 2000 with hydraulic clamping unit

CIVI HYDRO

Movable jaw set CIVI HYDRO smooth J60-J90 complete with:

1 movable slide-way, 1 work stop, 1 high-pressure pipe.



Code	for type	B mm	J mm	O mm	weight kg
77 58 41 43	CIVI 60-HY	40	60	70	1,4
77 58 42 43	CIVI 90-HY	45	90	80	2,9



Air/oil foot pump

Code

71 66 03 05

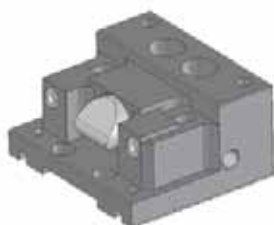


Air/oil manual pump

Code

71 66 03 15

- For accessories see group 6 (CIVI 2000)
- For clamping capacity see group 6 pag. 6,8
- Max clamping force at 350 bar = kg 1500 for CIVI 60 / kg 2000 for CIVI 90
- Max clamping stroke = mm 3



Jaw

code

58 41 04 69

58 42 04 69

for type

CIVI 60-HY

CIVI 90-HY

