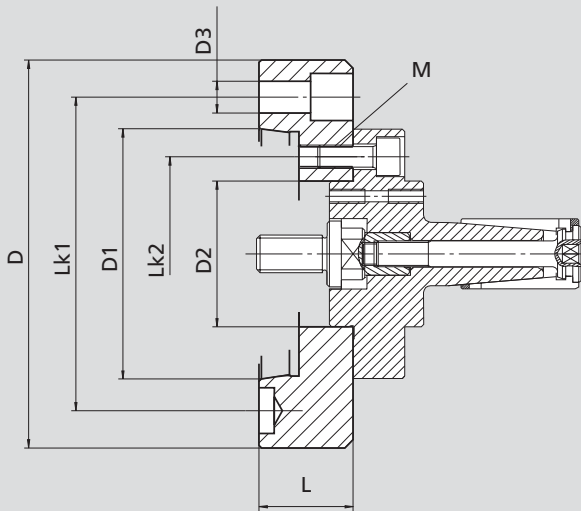
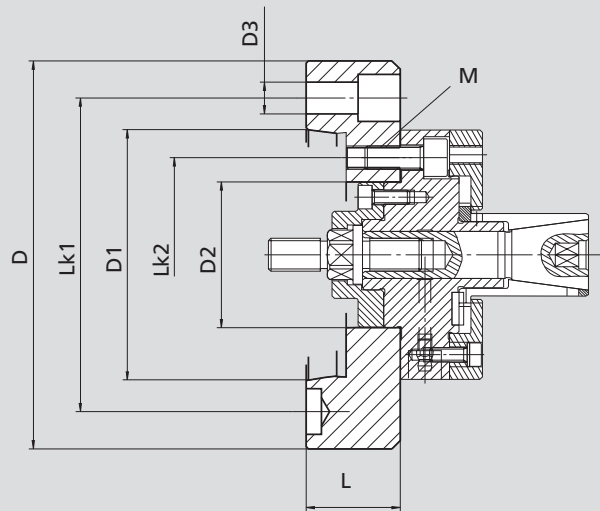


EM-A



EM-B



Sujet a changements techniques

Description Technique

Faux Plateaux No.		Nez Broche ISO	D	D1	D2	D3	LK1	LK2	L	M
24150100	mm	A5	127	82.563	62 ^{H6}	12	104.8	82.6	40	3 x M10
24150400	mm	A5	135	82.563	86 ^{H6}	12	104.8	104.8	40	3 x M10
24160100	mm	A6	165	106.375	62 ^{H6}	13.5	133.4	82.6	40	3 x M10
24160400	mm	A6	165	106.375	86 ^{H6}	13.5	133.4	104.8	40	3 x M10
24180100	mm	A8	210	139.719	62 ^{H6}	17	171.4	82.6	40	3 x M10
24180400	mm	A8	210	139.719	86 ^{H6}	17	171.4	104.8	40	3 x M10

Faux Plateaux	EM-A	EM-B
24150100 ISO-A5		
24160100 ISO-A6	1 - 2 - 3 - 4 - 5 - 6	0 - 1 - 2 - 3
24180100 ISO-A8		
24150400 ISO-A5		
24160400 ISO-A6	7 - 8 - 9 - 10 - 11	4
24180400 ISO-A8		