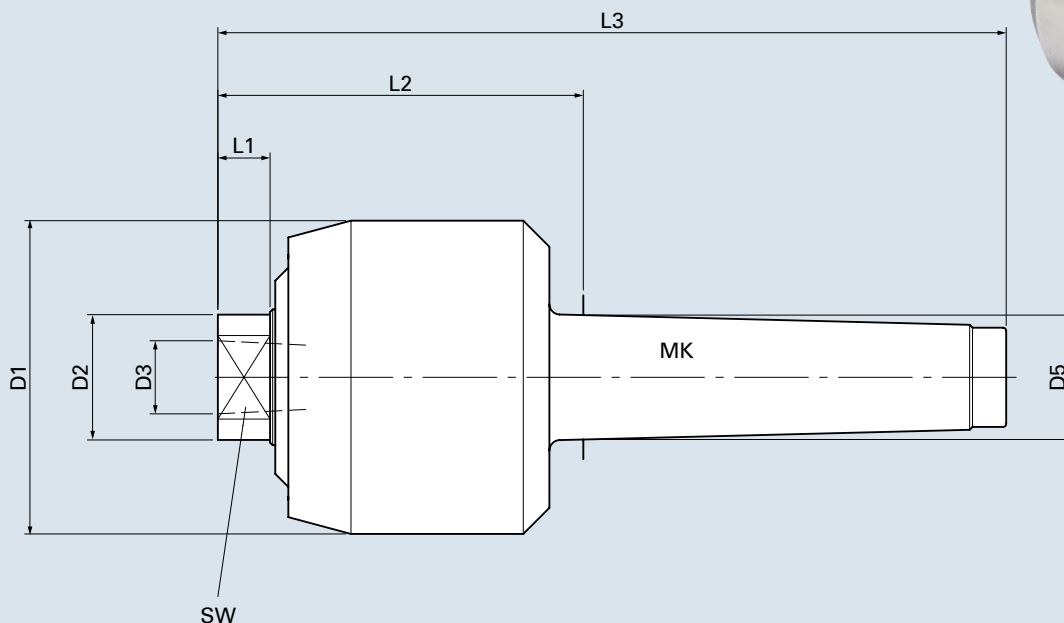
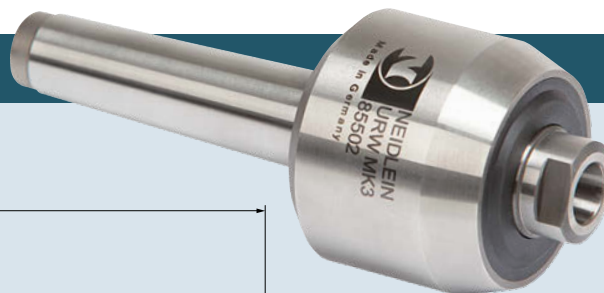




NEIDLEIN Live Center URW

Clamping tools for clamping on machine tools

Type URW with morse taper



cat. no.	type	MK	D1	D2	D3	D5	L1	L2	L3	SW	rpm max. [1/min]	weight of work piece max. [kg]
85501	URW MK2	2	45	20	12	17.78	10	59	128	17	5000	50
85502	URW MK3	3	60	24	14	23.83	11	68	149	19	4300	200
85503	URW MK4	4	76	32	18	31.27	13	79	181.5	27	3200	300
85504	URW MK5	5	96	42	24	44.4	14	98	227.5	36	2600	800

true running accuracy max. 0.01 guaranteed



NEIDLEIN Live Center URW complete
with 6 changeable inserts in wooden box

cat. no.	type	MK	D1	changeable inserts
85501-K	URW MK2	2	12	81600 / 81601 / 81602 / 81603 / 81604 / 81605
85502-K	URW MK3	3	14	81610 / 81611 / 81612 / 81613 / 81614 / 81615
85503-K	URW MK4	4	18	81620 / 81621 / 81622 / 81623 / 81624 / 81625
85504-K	URW MK5	5	24	81630 / 81631 / 81632 / 81633 / 81634 / 81635



Changeable Inserts for URW

Clamping tools for clamping on machine tools

For type URW MK2

cat. no.	type	D1	D2	D3	D4	L
81600	A	17	-	-	12	23
81601	B	14	4	-	12	32
81602	C	14	4	-	12	15
81603	E	28	13	-	12	33
81604	F	-	20	10	12	17
81605	H	14	-	-	12	20

For type URW MK3

cat. no.	type	D1	D2	D3	D4	L
81610	A	25	-	-	14	31
81611	B	18	6	-	14	35
81612	C	16	4	-	14	17
81613	E	44	24	-	14	28
81614	F	-	35	20	14	23
81615	H	16	-	-	14	21

For type URW MK4

cat. no.	type	D1	D2	D3	D4	L
81620	A	32	-	-	18	40
81621	B	22	8	-	18	43
81622	C	22	5	-	18	21
81623	E	55	30	-	18	34
81624	F	-	42	25	18	28
81625	H	22	-	-	18	27

For type URW MK5

cat. no.	type	D1	D2	D3	D4	L
81630	A	38	-	-	24	45
81631	B	28	10	-	24	52
81632	C	28	6	-	24	27
81633	E	68	36	-	24	41
81634	F	-	60	37	24	35
81635	H	28	-	-	24	34

For type URW with taper interface

