

Extracting Nuts and Extracting Disks

Clamping tools for clamping on machine tools

Accessories for demounting

Accessories for safe and quick demounting of our ultra live centers, dead centers, center pins and face drivers.

Extracting nut type DIN 1804 h

for ultra live centers

type RN/RNC/RNA/RNW

cat. no.	size	D1	D2	D3	h
83022	3	M58 x 1.5	80	90	13
83023	4	M75 x 1.5	100	110	14
83024	5	M95 x 2	120	135	16
83025	6	M110 x 2	140	155	16

for other center pins and face drivers

cat. no.	D1	D2	D3	h
83039	M28 x 1.5	43	50	10
83040	M32 x 1.5	45	52	11
83041	M35 x 1.5	47	55	11
83042	M36 x 1.5	48	55	11
83043	M48 x 1.5	67	75	13
83044	M70 x 1.5	90	100	14

Extracting disk

for ultra live centers

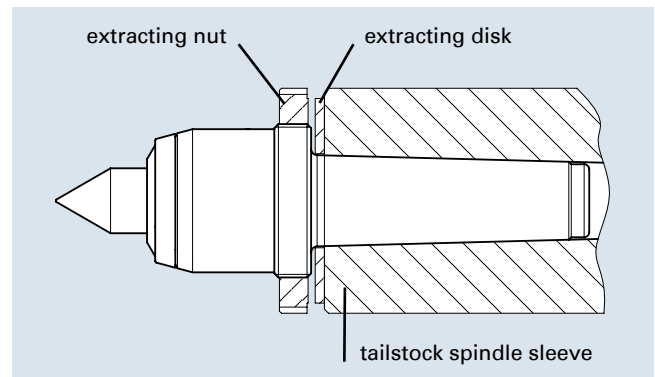
type RN/RNC/RNA/RNW

cat. no.	size	MK	D1	D2	h
83031	3	3	28	80	4
83032	3	4	38	80	5
83033	3	5	49	80	5
83034	4	4	38	100	5
83035	4	5	49	100	5
83036	5	5	49	120	5
83037	5	6	70	120	6
83038	6	6	70	140	6

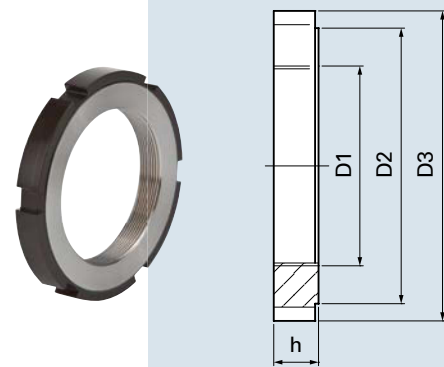
Extracting nut type DIN 807

for dead centers and center pins

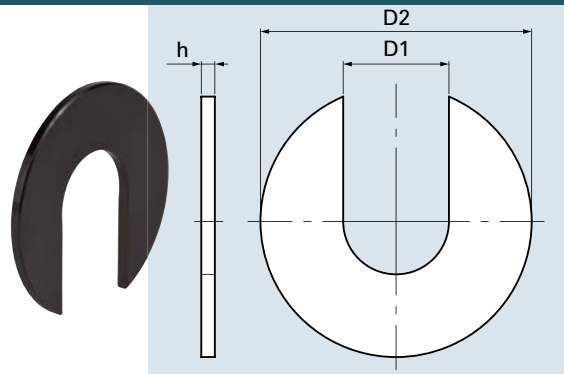
cat. no.	MK	D1	D2	s	h
92999	1	M16 x 1.5	23	24	12
93000	2	M22 x 1.5	30	32	15.5
93001	3	M27 x 1.5	39	41	17.5
93002	4	M36 x 1.5	53	55	21
93003	5	M48 x 1.5	67	75	23
93004	6	M68 x 1.5	90	100	25.5



Type DIN 1804 h



Extracting disk



Type DIN 807

